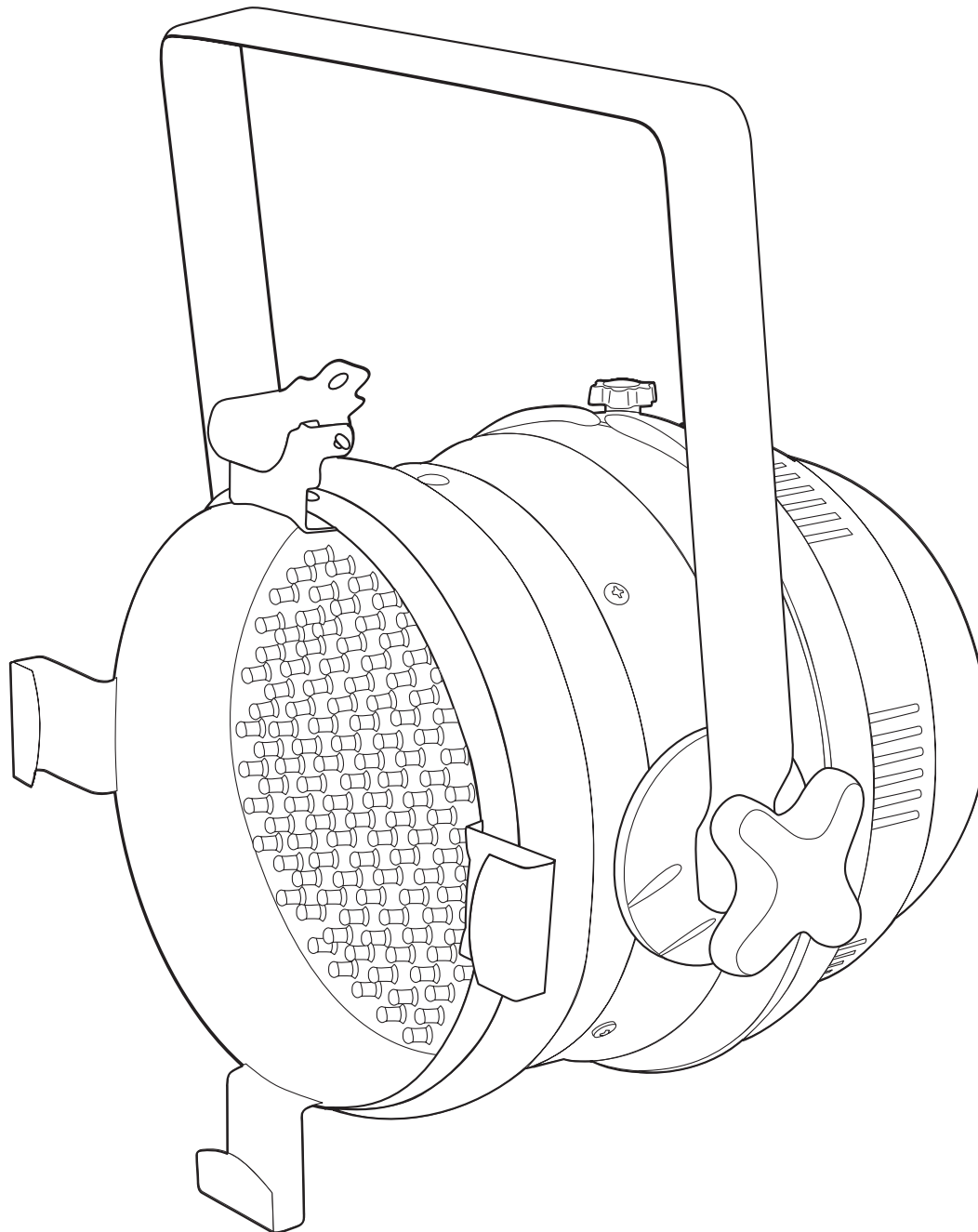




LED PAR64 USER MANUAL



INTRODUCTION

The LED PAR64 is a DMX intelligent LED Par Can. This Par Can is lightweight and compact which makes it a great piece for Houses of Worship, mobile DJs, and clubs. This unit can be used as a stand alone fixture in sound-activated mode, or controlled via DMX controller.

WARNING

To prevent or reduce the risk of electrical shock or fire, do not expose this unit to moisture.

CAUTION

There are no user-serviceable parts inside this unit. Do not attempt any repairs yourself, doing so will void your manufactures warranty.

PLEASE recycle the shipping carton whenever possible.

GENERAL INSTRUCTIONS

To optimize the performance of this product, please read these operating instructions carefully to familiarize yourself with its basic operations. These instructions contain important safety information regarding the use and maintenance of this unit. Please keep this manual for future reference.

FEATURES

- Multi-colors
- Color strobe
- Electronic dimming 0-100%
- Built-in microphone
- DMX-512 protocol
- Uses six channels
- Can be daisy chained via DMX Mode

SAFETY PRECAUTIONS

- To reduce the risk of electrical shock or fire, do not expose this unit to moisture.
- Do not spill water or other liquids into or on your unit.
- Be sure that the local power outlet matches that of the required voltage for your unit.
- Do not attempt to operate this unit if the power cord has been frayed or broken. Do not attempt to remove or break off the ground prong from the electrical cord. This prong reduces the risk of electrical shock and fire in case of an internal short.
- Disconnect from main power before making any type of connection.
- Do not remove the cover under any conditions. There are no user-serviceable parts inside.
- Never operate this unit when its cover is removed.
- Never plug this unit into a dimmer pack.
- Always mount this unit in an area that will allow proper ventilation. Allow about 6" (15cm) between this device and a wall.
- Do not attempt to operate this unit if it becomes damaged.
- This unit is intended for indoor use only. Use of this product outdoors voids all warranties.
- During long periods of non-use, disconnect the unit's main power.
- Always mount this unit in a safe and stable manner.
- Power-supply cords should be routed so that they will not be walked on or pinched by items placed upon or against them. Paying particular attention to the point where they exit from the unit.
- The appliance should be situated away from heat sources such as radiators, heat registers, stoves, or other appliances (including amplifiers) that produce heat.
- The fixture should be serviced by qualified service personnel when:
 - A. The power-supply cord or the plug has been damaged.
 - B. Objects have fallen, or liquid has been spilled into the appliance.
 - C. The appliance has been exposed to water.
 - D. The appliance does not appear to operate normally or exhibits a marked change in performance.

SET UP

Power Supply: Before plugging your unit in, be sure the source voltage in your area matches the required voltage for your Venue LED PAR64. Because line voltage may vary from venue to venue, you should be sure your unit voltage requirements match the wall outlet voltage before attempting to operate.

DMX-512: DMX is short for Digital Multiplex. This is a universal protocol used as a form of communication between intelligent fixtures and controllers. A DMX controller sends DMX data instructions from the controller to the fixture. DMX data is sent as serial data that travels from fixture to fixture via the DATA “IN” and DATA “OUT” XLR terminals located on all DMX fixtures (most controllers only have a DATA “OUT” terminal).

DMX Linking: DMX is a language allowing all makes and models of different manufactures to be linked together and operate from a single controller, as long as all fixtures and the controller are DMX compliant. To ensure proper DMX data transmission, when using several DMX fixtures, try to use the shortest cable path possible. The order in which fixtures are connected in a DMX line does not influence the DMX addressing. For example, a fixture assigned a DMX address of 1 may be placed anywhere in a DMX line, at the beginning, at the end, or anywhere in the middle. When a fixture is assigned a DMX address of 1, the DMX controller knows to send DATA assigned to address 1 to that unit, no matter where it is located in the DMX chain.

Data Cable (DMX Cable) Requirements (For DMX Operation):

The Venue LED PAR64 can be controlled via DMX-512 protocol. The Venue LED PAR64 is a six channel DMX unit. The DMX address is set on the back panel of the Venue LED PAR64. Your unit and your DMX controller require a standard 3-pin XLR connector for data input and data output (Figure 1). If you are making your own cables, be sure to use standard two conductor shielded cable (This cable may be purchased at almost all pro sound and lighting stores). Your cables should be made with a male and female XLR connector on either end of the cable. Also remember that DMX cables must be daisy chained and cannot be split.

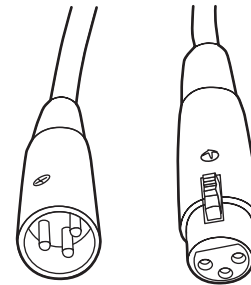
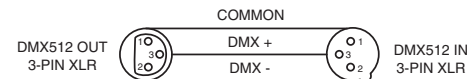


Figure 1

Notice: Be sure to follow Figures 2 and 3 when making your own cables. Do not use the ground lug on the XLR connector. Do not connect the cable’s shield conductor to the ground lug or allow the shield conductor to come in contact with the XLR’s outer casing. Grounding the shield could cause a short circuit and erratic behavior.



XLR Pin Configuration	
Pin 1 =	Ground
Pin 2 =	Data Compliment (negative)
Pin 3 =	Data True (positive)

Figure 2

Special Note: Line Termination. When longer runs of cable are used, you may need to use a terminator on the last unit to avoid erratic behavior. A terminator is a 90-120 Ohm 1/4 watt resistor which is connected between pins 2 and 3 of a male XLR connector (DATA + and DATA -). This unit is inserted in the female XLR connector of the last unit in your daisy chain to terminate the line. Using a cable terminator will decrease the possibilities of erratic behavior (Figure 4).

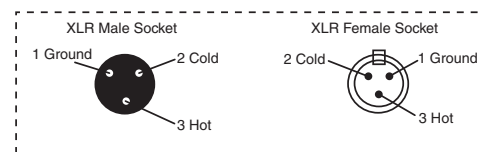


Figure 3



Termination reduces signal errors and avoids signal transmission problems and interference. It is always advisable to connect a DMX terminal. (Resistance 120 Ohm 1/4 W) between PIN 2 (DMX-) and PIN 3 (DMX +) of the last fixture.

Figure 4

OPERATING INSTRUCTIONS

Operating Modes:

You can use the LED PAR64 in four ways:

- Sound-Active mode - Reacts to sound, chasing through the built-in programs.
- Auto Mode - Automatically chases through the different colors.
- RGB Mode - Projects a single color or colors to stay static.
- DMX control mode - This function will allow you to control each individual fixture with a standard DMX 512 controller.

Sound Active Mode:

In this mode the LED PAR64 will react to sound and chase through the different colors.

1. Plug the fixture in and put DIP switch #10 in the "ON" position.
2. The fixture will now change via sound.

Auto Mode:

1. Plug the fixture in and put DIP switches #9 and #10 in the "ON" position.
2. Adjust the speed by adjusting DIP switches #1 through 7.

RGB Mode:

1. Plug the fixture in and put DIP switches #8, #9, and #10 in the "ON" position.
2. DIP switch #1 alone will project Red at 25% intensity, DIP switch #2 alone will project Red at 50% intensity. Combine DIP switches #1 and 2 and Red will be projected at 100% intensity.

DIP switch #3 alone will project Green at 25% intensity, DIP switch #4 alone will project Green at 50% intensity. Combine DIP switches 3 & 4 and Green will be projected at 100% intensity.

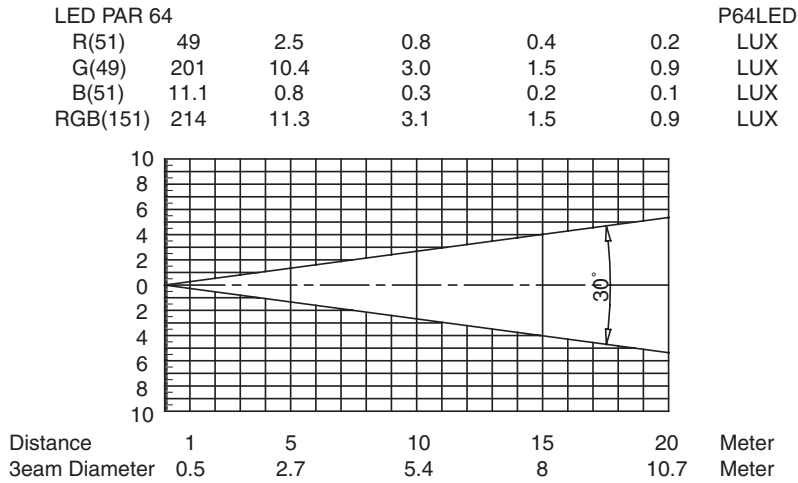
DIP switch #5 alone will project Blue at 25% intensity, DIP switch #6 alone will project Blue at 50% intensity. Combine DIP switches #5 & #6 and Blue will be projected at 100% intensity.

DMX Mode:

Operating through a DMX controller gives the user the freedom to create their own programs tailored to their own individual needs. This function also allows you to use your fixtures as spotlights.

1. The LED PAR64 uses six DMX channels to operate.
2. To run your fixture in DMX mode, plug in the fixture via the XLR connections to any standard DMX controller.
3. Set your desired DMX address following the set-up specifications that come with your DMX controller.

PHOTOMETRIC CHART



DMX VALUES AND FUNCTIONS

Channel	Value	Function
1	0 - 255	RED 0% → 100%
2	0 - 255	GREEN 0% → 100%
3	0 - 255	BLUE 0% → 100%
4	8 - 255	COLOR MACRO
5	0 - 15 16 - 255	NOTHING STROBING
6	0 - 31 32 - 63 64 - 95 96 - 127 128 - 159 160 - 191 192 - 223 224 - 255	NOTHING DIMMING CONTROL DIM → BRIGHT BRIGHT → DIM DIM → BRIGHT → DIM COLOR MIXING 3 COLOR CHANGE 7 COLOR CHANGE SOUND ACTIVE

Channel 1, 2, and 3 will not work when Channel 4 is being used. When units are daisy chained together in DMX Mode, Channels 1, 2, and 3 must be "OFF" for units to sync together when using Channel 4.

When the value of Channel 6 is between 32 and 127, you must be using Channels 1, 2, or 3, or all three combined.

When using Channel 6, Channel 5 will control the speed of the color changing.

CLEANING

Due to fog residue, smoke, and dust, clean the internal and external optical lenses periodically to optimize light output.

1. Use normal glass cleaner and a soft cloth to wipe down the outside casing.
2. Clean the external optics with glass cleaner and a soft cloth every 20 days.
3. Always dry all parts completely before plugging the unit back in. Cleaning frequency depends on the environment in which the fixture operates (i.e. smoke, fog residue, dust, dew).

TROUBLE SHOOTING

Listed below are a few common problems the user may encounter, with solutions.

Unit not responding to DMX:

1. Check that the DMX cables are connected properly and are wired correctly (pin 3 is 'hot'; on some other DMX devices pin 2 may be 'hot'). Also, check that all cables are connected to the right connectors; it does matter which way the inputs and outputs are connected.

Unit does not respond to sound:

1. Quiet or high pitched sounds will not activate the unit.

SPECIFICATIONS

Please Note: Specifications and improvements in the design of this unit and this manual are subject to change without any prior written notice.

Model: LED PAR64

SPECIFICATIONS:

Working Position:	Any safe working position
Voltage:	120V AC
Power Draw:	0.2 Amps
Weight:	5 lbs./2.2 kg.
Dimensions:	(L)11.5" x (W)10.5" x (H)14.5"
Colors:	RGB Color Mixing

WARRANTY

One (1) Year Limited Warranty

Subject to the limitations set forth below, Venue™ hereby represents and warrants that the components of this product shall be free from defects in workmanship and materials, including implied warranties of merchantability or fitness for a particular purpose, subject to normal use and service, for one (1) year (ninety (90) days on lamps) to the original owner from the date of purchase.

Retailer and manufacturer shall not be liable for damages based upon inconvenience, loss of use of product, loss of time, interrupted operation or commercial loss or any other incidental or consequential damages including but not limited to lost profits, downtime, goodwill, damage to or replacement of equipment and property, and any costs of recovering, reprogramming, or reproducing any program or data stored in equipment that is used with Venue™ products. This guarantee gives you specific legal rights. You may have other legal rights which vary from state to state. Some states do not allow limitations on how long an implied warranty lasts, so the above limitation may not apply to you.

Venue Lighting Effects
P.O. Box 5111
Thousand Oaks, CA 91359-5111
www.venuelightingeffects.com

All trademarks and registered trademarks mentioned herein are recognized as the property of their respective holders. Made in China. 0804-8099A

IMPORTANT SAFETY INSTRUCTIONS



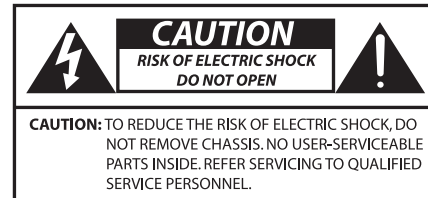
This symbol is intended to alert the user to the presence of non-insulated “dangerous voltage” within the products enclosure.



This symbol is intended to alert the user to the presence of important operating and maintenance (servicing) instructions in the literature accompanying the unit.



Apparatus shall not be exposed to dripping or splashing. Objects filled with liquids, such as vases, shall not be placed on the apparatus.



1. Read all safety and operating instructions before using this product.
2. All safety and operating instructions should be kept for future reference.
3. Read and understand all warnings listed on the operating instructions.
4. Follow all operating instructions to operate this product.
5. This product should not be used near water, i.e., bathtub, sink, swimming pool, wet basement, etc.
6. Only use dry cloth to clean this product.
7. Do not block any ventilation openings, it should not be placed flat against a wall or placed in a built-in enclosure that will impede the flow of cooling air.
8. Do not install this product near any heat sources such as radiators, heat registers, stoves or other apparatus (including amplifiers) that produce heat.
9. Do not defeat the safety purpose of the polarized or grounding-type plug. A polarized plug has two blades with one wider than the other. A grounding-type plug has two blades and a third grounding prong. The wide blade or the third prong are provided for your safety. If the provided plug does not fit into your outlet, consult an electrician for replacement of the obsolete outlet.
10. Protect the power cord from being walked on or pinched, particularly at plugs, convenience receptacles, and the point where they exit from the apparatus. Do not break the ground pin of the power supply cord.
11. Only use attachments specified by the manufacturer.
12. Use only with the cart, stand, tripod, bracket, or table specified by the manufacturer or sold with the apparatus. When a cart is used, exercise caution when moving.
13. Unplug this apparatus during lightning storms or when unused for a long period of time.
14. Care should be taken so that objects do not fall and liquids are not spilled into the unit through the ventilation ports or any other openings.
15. Refer all servicing to qualified service personnel. Servicing is required when the apparatus has been damaged in any way.
16. **WARNING:** To reduce the risk of fire or electric shock, do not expose this apparatus to rain or moisture.
17. When a mains plug or an appliance coupler is used as the disconnect device, the disconnect device shall remain readily operable.



**VENUE**TM
LIGHTING EFFECTS