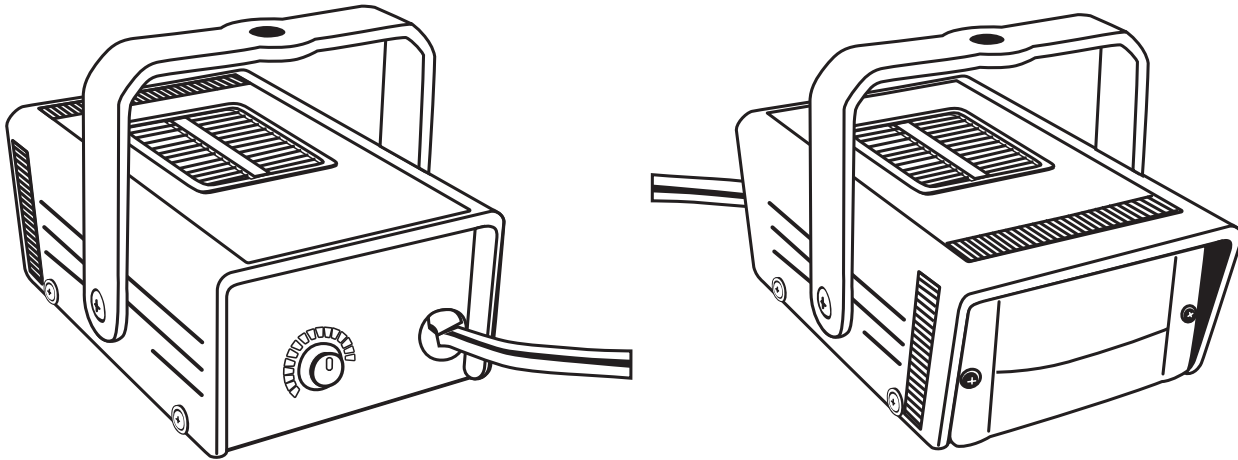


MINI-STROBE USER INSTRUCTIONS



Congratulations on your purchase of STR35. Your Mini-Strobe is already assembled and ready to use.

IMPORTANT SAFETY INSTRUCTIONS

Read all instructions before using the Mini-Strobe.

When using an electrical furnishing, basic precautions should always be followed, including the following:

DANGER: To reduce the risk of electric shock and fire

1. Always unplug this unit from the electrical outlet before cleaning.
2. Handle must be used as tilt stand at ground level (figure 1) or mount for hanging on the ceiling etc. (figure 2).
3. To avoid injury from falling unit, mount the MINI STROBE securely with compatible screws only.
4. Keep all the ventilation holes at least 20mm away from obstacle.

WARNING: To reduce the risk of burns, fire, electric shock, or injury to users:

1. Unplug from outlet before putting on or taking off parts.
2. Close supervision and guidance is necessary when this MINI-STROBE is used by or near children and invalid persons.
3. Use MINI-STROBE only for its intended use as described in these instructions. Do not use attachments not recommended by the manufacturer.
4. Never operate MINI-STROBE if it has a damaged cord or plug. It will not work properly if it has been dropped or damaged or dropped into water.
5. Keep the cord away from heated surface.
6. Never operate the MINI-STROBE with vents blocked. Keep ventilation hole free of lint, hair, etc.
7. Never drop or insert any object into any openings.
8. For indoor and household use only. Never use for outdoor applications.
9. To disconnect, remove plug from outlet.
10. Do not attempt to open the enclosure, high voltage live wires inside.
11. Strobe lamp is not replaceable. No user serviceable parts inside.

Figure 1: Handle Bracket

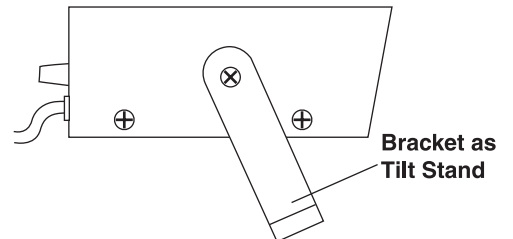
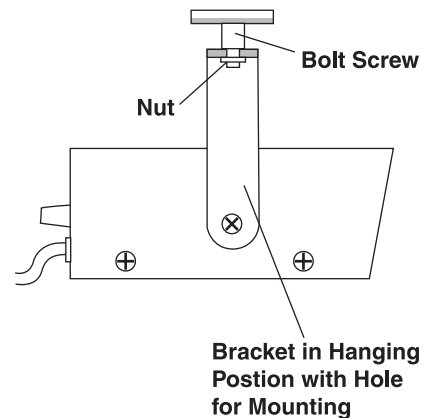


Figure 2: Hanging



SAVE THESE INSTRUCTIONS

TECHNICAL SPECIFICATIONS

Item No.: STR35

Model: FL-035N

Power Consumption: 25W max.

Power Rating: AC 120V, 60Hz, 25W, 205mA

Fuse: 1A 125V

Lamp type: Xenon Tube

Lamp life: 3,000,000 flashes

Flash rate: 1-10 flashes/second

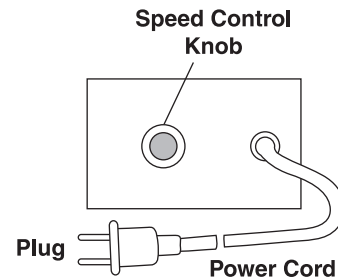
Dimension: 5.2" x 3.9" x 2.1"

Weight: 0.7lbs

OPERATING INSTRUCTIONS

1. Place the unit where there's sufficient ventilation, away from flammable objects.
2. Plug unit into polarized AC power outlet.(fig. 3)
3. Turn the strobe rate adjustment knob to select desired flash speed. (fig. 3)
4. Disconnect the power cord when not in use.

Figure 3: Operation



CAUTION:

To reduce the risk of electric shock, this furnishing has a polarized plug (one blade is wider than the other). This plug will fit in a polarized outlet only one way. If the plug does not fit fully in the outlet, reverse the plug. If it still does not fit, contact a qualified electrician to install the proper outlet. Do not change the plug in any way.

STORAGE AND CLEANING

1. Unplug the power supply cord before do any cleaning work.
2. Be careful not blocking the ventilation hole when do cleaning work.
3. If idle for a long time, storing the furnishing in dry place, and do not crush the furnishing.
4. Be careful not damage the power supply cord. When the cord is damaged, this furnishing should be thrown away.