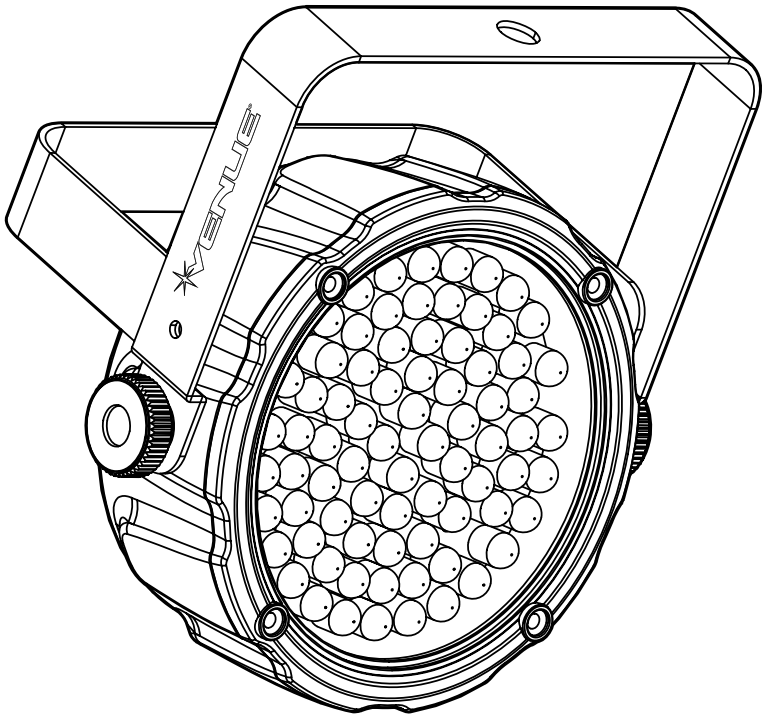




THINPAR 38

OWNER'S MANUAL





INTRODUCTION

The Venue Thinpar 38 is a DMX intelligent LED Par Can. It is lightweight and compact which makes it a great light for clubs, parties, Houses of Worship and mobile DJs. This unit can be used as a “stand alone” fixture in sound-activated mode, or controlled via DMX controller.

TABLE OF CONTENTS

1. BEFORE YOU BEGIN	3	6. STANDALONE OPERATION	10
What is included	3	Automatic.....	10
Unpacking instructions	3	Sound-active.....	10
Manual conventions.....	3	Preset colors	10
Icons.....	3	Custom static colors	10
2. SAFETY INSTRUCTIONS	4	7. DMX OPERATION	11
3. INTRODUCTION	5	Configuring the starting address	11
Control features	5	Master/slave (standalone operating modes)	11
Additional features.....	5	7-Ch mode DMX operation.....	12
Back Panel	5	3-Ch mode DMX operation.....	12
4. SETUP	6	8. APPENDIX	13
AC power.....	6	DMX primer	13
Power linking	6	General troubleshooting	13
Mounting orientation.....	7	Fixture linking	14
Rigging	7	DMX data cable.....	14
Signal linking	8	Cable connectors.....	14
5. OPERATING INSTRUCTIONS	8	3-Pin to 5-pin conversion chart.....	15
Control panel functions.....	8	Setting up a DMX serial data link	15
Control panel menu selections	9	General maintenance	15
		9. TECHNICAL SPECIFICATIONS	16
		10. WARRANTY	16

1. BEFORE YOU BEGIN

WHAT IS INCLUDED

- Thinpar 38
- Warranty Card
- Power Cord
- User Manual

UNPACKING INSTRUCTIONS

Carefully unpack the carton, then check the contents to ensure that all parts are present and have been received in good condition. Notify the shipper immediately and retain packing material for inspection if any parts appear damaged from shipping, or the carton itself shows signs of mishandling. Save the carton and all packing materials. In the event that a fixture must be returned to the factory, it is important that the fixture be returned in the original factory box and packing.




MANUAL CONVENTIONS

Venue® manuals use the following conventions to differentiate certain types of information from the regular text.

CONVENTION	MEANING
<Menu>	Key to be pressed on the fixture's Control Display
1-512	Range of values
50/60	Set of values of which only one can be chosen
Settings	Menu option not to be modified (for example, showing the operating mode/ current status)
MENU > Settings	Sequence of menu options to be followed
ON	Value to be entered or selected

ICONS

This manual uses the following icons to indicate information that requires special attention on the part of the user.

ICONS	MEANING
	This paragraph contains critical installation, configuration or operation information. Failure to comply with this information may render the fixture partially or completely inoperative, cause damage to the fixture or cause harm to the user.
	This paragraph contains important installation or configuration information. Failure to comply with this information may prevent the fixture from functioning correctly.
	This paragraph reminds you of useful, although not critical, information.

2. SAFETY INSTRUCTIONS



Please read these instructions carefully. It includes important information about the installation, usage and maintenance of this product.

- Please keep this Owner's Manual for future reference.
- Make sure that you are connecting to the proper voltage, and that the line voltage you are connecting to is not higher than that stated on the decal or rear panel of the fixture.
- This product is intended for indoor use only! To prevent risk of fire or shock, do not expose fixture to rain or moisture.
- Make sure there are no flammable materials close to the unit while operating.
- The unit must be installed in a location with adequate ventilation, at least 20" (50 cm) from adjacent surfaces. Be sure that no ventilation slots are blocked.
- Always disconnect from the power source before servicing or replacing the fuse and be sure to replace with same type fuse.
- Secure fixture to fastening device using a safety chain.
- Maximum ambient temperature is 104° F (40° C). Do not operate the fixture at temperatures higher than this.
- In the event of a serious operating problem, stop using the unit immediately. Never try to repair the unit yourself.
- Never connect the device to a dimmer pack.
- Make sure the power cord is never crimped or damaged.
- Never disconnect the power cord by pulling or tugging on the cord.
- Never carry the fixture directly from the cord. Always use the hanging/mounting bracket.
- Avoid direct eye exposure to the light source while it is on.

3. INTRODUCTION

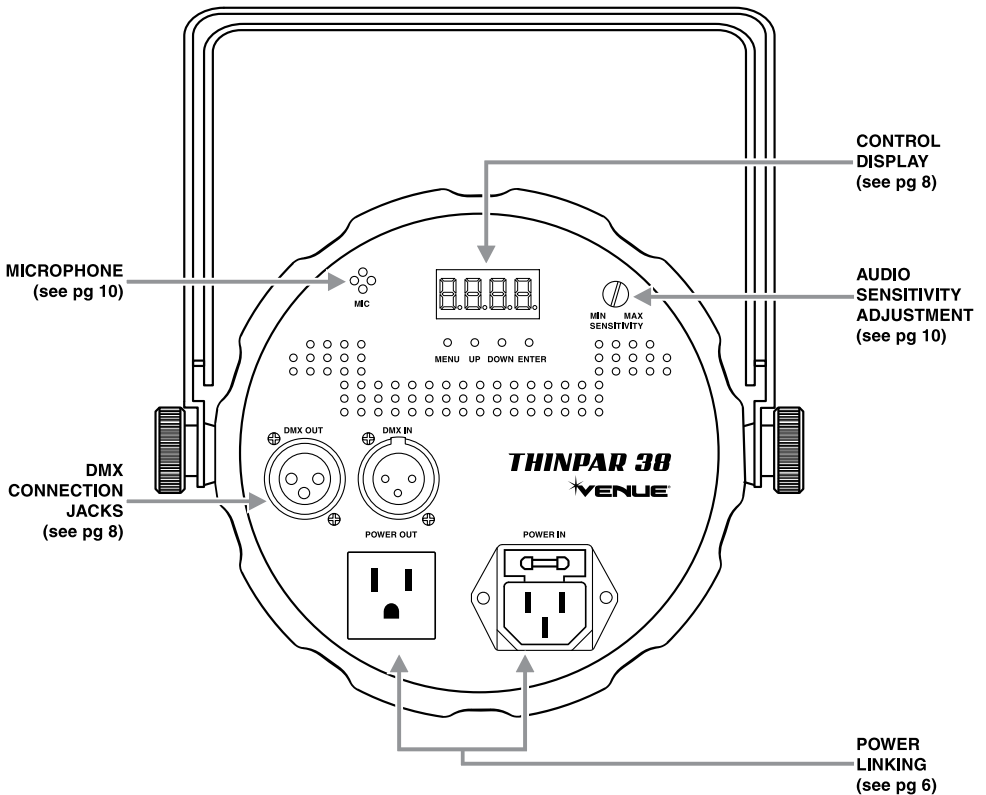
CONTROL FEATURES

- Static colors and RGB color mixing with or without DMX controller
- Built-in automated programs via master/slave or DMX with variable speed
- Built-in sound activated programs via master/slave or DMX
- Pulse effect with adjustable speed
- 3 or 7 channel DMX-512 operation

ADDITIONAL FEATURES

- 2.5" low profile design
- Power linking: 43 units @ 120V
- Double-bracket yoke doubles as floor stand

BACK PANEL



4. SETUP

AC POWER

This fixture runs on 120 VAC, 50/60 Hz. Before powering on the unit, make sure the line voltage is within the range of accepted voltages.

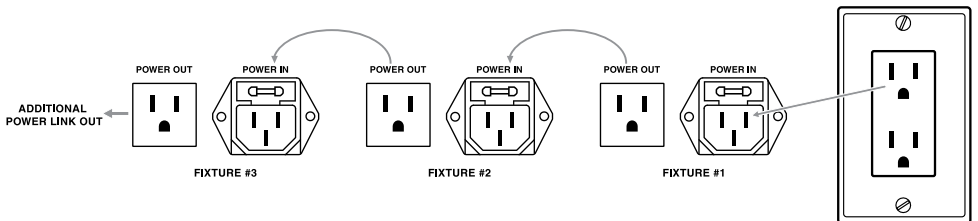
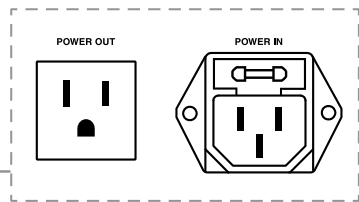
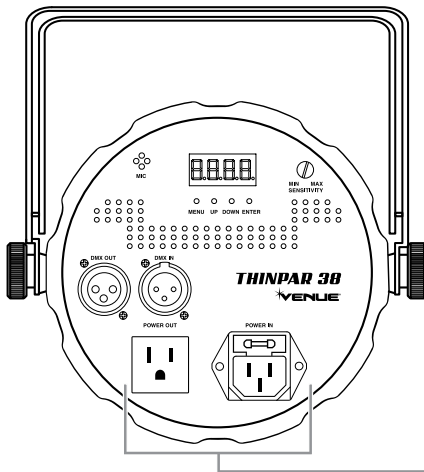
To determine the power requirements for a particular fixture, see the label affixed to the back plate of the fixture or refer to the fixture's specifications chart. A fixture's listed current rating indicates its average current draw under normal conditions.

- ⚠ Always connect the fixture to a switched circuit. Never connect the fixture to a rheostat (variable resistor) or dimmer circuit, even if the rheostat or dimmer channel is used only as a 0 to 100% switch.
- ⚠ Always connect the fixture to a circuit with a suitable electrical ground.

POWER LINKING

This fixture contains power linking via the outlet located on the back panel. Please see the diagram below for further explanation.

- ⚠ The maximum quantity of fixtures that may be linked is 43 units @ 120V.



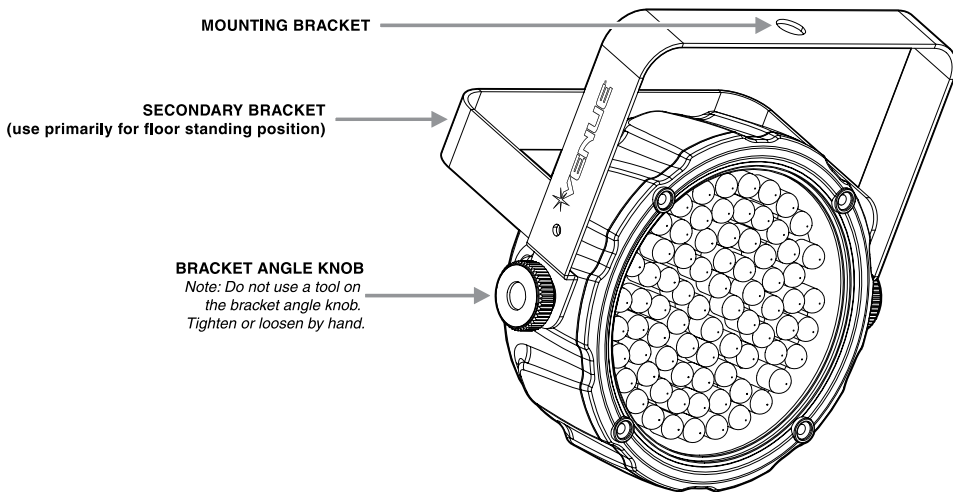
MOUNTING ORIENTATION

The lightweight Thinpar 38 may be mounted in any position.

RIGGING

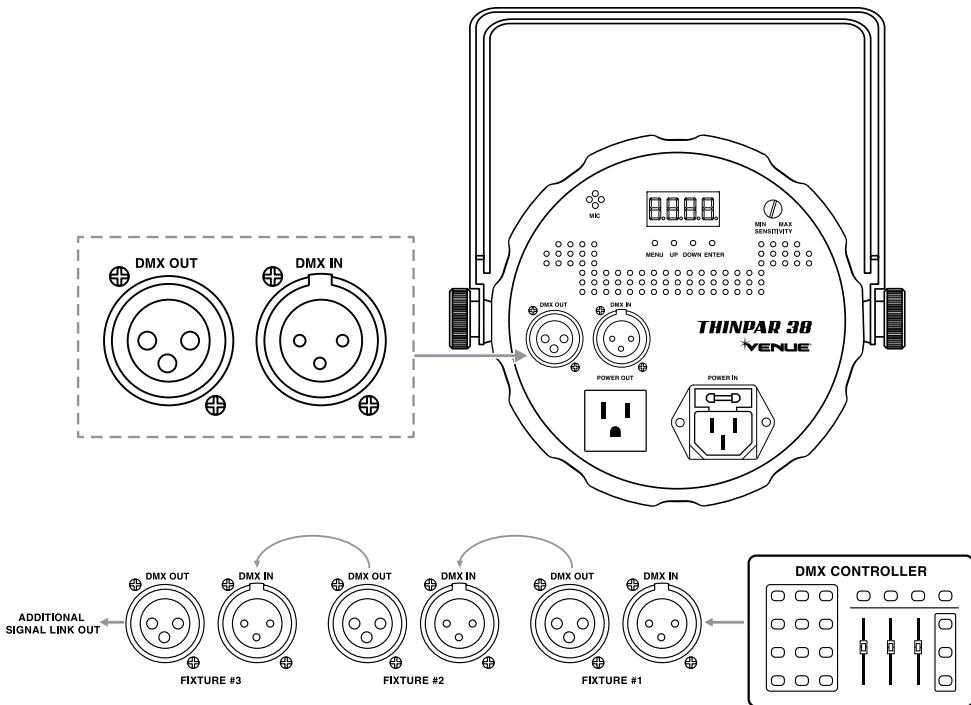
Be sure that the structure can support the weight of the fixture. Please see the “Technical Specifications” section of this manual for a detailed weight listing. Mount the fixture securely. This may be done with a screw, nut and bolt, or a hanging clamp (not included). The hole in each bracket can fit a 13mm screw or bolt. When rigging, consider routine maintenance and back panel access. Please see the following steps for installation.

- If the power link out is intended to be used with multiple fixtures, take into account the length of each power cable, and mount the fixtures close enough to one another to account for this.
- When aiming the fixtures, you may use the bracket angle knob. Loosen the knob, adjust to the desired angle, and then tighten the knob by turning clockwise. Do not use tools for this step, as it may cause damage.
- There is a secondary bracket, which may be used primarily for floor standing positions.
- Safety cables must always be used.



SIGNAL LINKING

In order to use this fixture in a DMX or master/slave operation, you must daisy chain using DMX cables to link from one fixture to another.

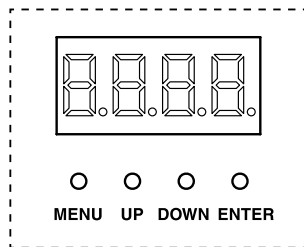


5. OPERATING INSTRUCTIONS

CONTROL PANEL BUTTONS

Access these functions using the four buttons located directly underneath the LED Control Display.

BUTTON	FUNCTION
<MENU>	Scrolls through the current operating mode, as well as back out of the current menu option
<UP>	Selects increasing advancement in the value
<DOWN>	Selects decreasing advancement in the value
<ENTER>	Selects a value and store it to memory



The Control Display shows the current state of the unit. It is used to select the operating mode, as well as the sub-features. For detailed functions, please see the section below.

CONTROL PANEL MENU SELECTIONS

	MAIN FUNCTION	SUB-FUNCTION	SELECTION	SUB-SELECTION	INSTRUCTION
AUTO	P --	P1	7 Color Switching		Select between 2 switching and 2 fading built-in programs.
		P2	7 Color Fading		
		P3	3 Color Switching		
		P4	3 Color Fading		
SOUND ACTIVE	P --	P5	7 Color Sound Active	Use the Audio Sensitivity Adjustment knob located on the back of the fixture.	Select between 2 sound active programs.
		P6	3 Color Sound Active		
DMX CONTROL	3-CH	d 1-d512			Select 3-channel DMX mode (RGB control).
	7-CH	d 1-d512			
COLOR PALLETTE	C --	C1	Red		Select between 7 static colors. The display will read C1-C7. The colors that each of these represent are indicated to the left.
		C2	Green		
		C3	Blue		
		C4	Cyan		
		C5	Magenta		
		C6	Yellow		
		C7	White		
PRESET SPEED (1-4)	S --	S 1-S100	(the default range is 5050)		This is the speed range for the 4 switching and fading built-in programs.
USER COLOR MIXING	U --	r ---	Red	000-100	Combine red, green, and blue to create a custom, static color.
		g ---	Green		
		b ---	Blue		

6. STANDALONE OPERATION

AUTOMATIC

This fixture has preprogrammed chases with adjustable speed. These are accessed via the Control Display (page 5).

1. Press <MENU> until "P - -" appears on the LED screen.
2. Press <ENTER>.
3. Using <UP> and <DOWN>, select the desired program (P1-P4).
4. Press <ENTER>.
5. Press <MENU> until "S - -" appears on the LED screen.
6. Using <UP> and <DOWN>, select the desired program speed (5 1-5100).
7. Press <ENTER> to confirm settings.

SOUND-ACTIVE

This fixture has preprogrammed sound triggered chases. These are accessed via the Control Display (page 5). The audio sensitivity may be adjusted using the Audio Sensitivity Adjustment knob.

1. Press <MENU> until "P - -" appears on the LED screen.
2. Press <ENTER>.
3. Using <UP> and <DOWN>, select the desired program (P5-Pb).
4. Press <ENTER> to confirm settings.

PRESET COLORS

This fixture has preprogrammed static color presets. These are accessed via the Control Display (page 5).

1. Press <MENU> until "C - -" appears on the LED screen.
2. Press <ENTER>.
3. Using <UP> and <DOWN>, select the desired color preset (C1-C7).
4. Press <ENTER> to confirm settings.

CUSTOM STATIC COLORS

This fixture has the ability to accept custom static color settings. These are accessed via the Control Display (page 5).

1. Press <MENU> until "J - -" appears on the LED screen.
2. Press <ENTER>.
3. Using <UP> and <DOWN>, select the desired color (r, g, b).
4. Press <ENTER>.
5. Using <UP> and <DOWN>, select the desired color value (000-100). By selecting 000, the color will remain off.
6. Press <ENTER> to continue to the next color (r, g, b).
7. Using <UP> and <DOWN>, select the desired color value (000-100). By selecting 000, the color will remain off.
8. Repeat steps 6 & 7 until the desired color is obtained. Press <ENTER> to save the final color setting. This will move the selection to the following color; however, this is necessary to save the modification.

The colors are represented by the following in the menu map:

- r = Red (000-100)
- g = Green (000-100)
- b = Blue (000-100)

7. DMX OPERATION

This is the operating mode which will allow for an external DMX controller. You must set the starting address for this mode. If this is your first time using DMX, then it is recommended that you refer to the “DMX Primer” section in the “Appendix” of this manual.

1. Press <MENU> until “3-CH” or “7-CH” appears on the LED screen.
2. Press <ENTER>.
3. Using <UP> and <DOWN>, select the desired DMX address (d 1-d512).

CONFIGURING THE STARTING ADDRESS

Each fixture requires a starting address from 1-512. A fixture requiring one or more channels for control begins to read the data on the channel indicated by the starting address. For example, a fixture that uses seven DMX channels and is addressed to start on DMX channel 100, will read data from channels: 100, 101, 102, 103, 104, 105 and 106. Choose the starting addresses for each fixture so that the channels used do not overlap. In addition, you should note the starting address selected for future reference.

The Thinpar 64 uses seven or three DMX channels. If this is your first time using DMX, we recommend reading the “DMX Primer” section in the “Appendix”.

MASTER/SLAVE (STANDALONE OPERATING MODES)

This is the operating mode which will allow one fixture to act as the master and control all of the other slave fixtures. You must set both the master and the slave(s) fixtures to the correct mode for this operation.

Master Settings:

1. Connect the fixtures with DMX cables, as shown in the “Fixture Linking” section.
2. Use any one of the standalone modes for the master unit. This includes: “P--”, “C--”, and “U--”.

Slave Settings:

1. Press <MENU> until “3-CH” or “7-CH” appears on the LED screen.
2. Press <ENTER>.
3. Using <UP> and <DOWN>, set the DMX address to “d 1”.
4. Press <ENTER>.



Although any fixture in the DMX daisy chain may be set to master, it is advisable to set the master as the first fixture in the line.



Only one fixture may be set to master.



Do not connect a DMX controller to the daisy chain for this operating mode.



It does not matter which DMX mode is selected for the slave fixtures. Either mode will be effective.

7-CH MODE DMX OPERATION

CHANNEL	VALUE	FUNCTION	
1	000 - 255	Red Dimmer: 0% - 100%	
2	000 - 255	Green Dimmer: 0% - 100%	
3	000 - 255	Blue Dimmer: 0% - 100%	
4	000 - 015 016 - 255	Color Macros (override CH.1 - 3) No Function Color Macros	
5	000 - 255	Speed (CH.6 @ values 32 - 223) Slow - Fast	
	000 - 015 016 - 255	Strobe (RGB mode only) No Function Slow - Fast	
6	000 - 031 032 - 063 064 - 095 096 - 127 128 - 159 160 - 191 192 - 223 224 - 255	Mode RGB mode Pulse effect 0%–100% (using RGB faders) Pulse effect 100%–0% (using RGB faders) Pulse effect 100%–0%–100% (using RGB faders) Auto fade transition Auto snap transition (3 colors) Auto snap transition (7 colors) Sound triggering mode	When CH.6 is set between 032–223, CH.5 controls the speed.
7	000 - 255	Dimmer Intensity: 0% - 100% (RGB/Macro modes)	

3-CH MODE DMX OPERATION

CHANNEL	MEANING	FUNCTION
1	000 - 255	Red Dimmer: 0% - 100%
2	000 - 255	Green Dimmer: 0% - 100%
3	000 - 255	Blue Dimmer: 0% - 100%

8. APPENDIX

DMX PRIMER

There are 512 channels in a DMX connection. Channels may be assigned in any manner. A fixture capable of receiving DMX will require one or a number of sequential channels. The user must assign a starting address on the fixture that indicates the first channel reserved in the controller. There are many different types of DMX controllable fixtures and they all may vary in the total number of channels required. Choosing a start address should be planned in advance. Channels should never overlap. If they do, this will result in erratic operation of the fixtures whose starting address is set incorrectly. You can however, control multiple fixtures of the same type using the same starting address as long as the intended result is that of unison movement or operation. In other words, the fixtures will be slaved together and will all respond exactly the same. Consult the Owner's Manual to your DMX controller for more information.

DMX fixtures are designed to receive data through a serial Daisy Chain. A Daisy Chain connection is where the DATA OUT of one fixture connects to the DATA IN of the next fixture. The order in which the fixtures are connected is not important and has no effect on how a controller communicates to each fixture. Use an order that provides for the easiest and most direct cabling. Connect fixtures using shielded two-conductor twisted pair cable with three pin XLR male to female connectors. The shield connection is pin 1, while pin 2 is Data Negative (S-), and pin 3 is Data Positive (S+).

GENERAL TROUBLESHOOTING

SYMPTOM	POSSIBLE CAUSE(S)	POSSIBLE ACTION(S)
Breaker/Fuse keeps blowing	<ul style="list-style-type: none">• Excessive circuit load• Short circuit along the power wires	<ul style="list-style-type: none">• Check total load placed on the electrical circuit.• Check for a short in the electrical wiring (internal and/or external).
Device does not power up	<ul style="list-style-type: none">• No power• Loose power cord	<ul style="list-style-type: none">• Check for power on Mains.• Check power cord
Fixture is not responding to DMX	<ul style="list-style-type: none">• Wrong DMX addressing• Damaged DMX cables• Wrong polarity settings on the controller• Loose DMX cables• Faulty DMX interface• Faulty Main PCB	<ul style="list-style-type: none">• Check Control Display and unit addressing• Check DMX cables• Check polarity switch settings on the controller• Check cable connections• Replace DMX input• Replace Main PCB
Loss of signal	<ul style="list-style-type: none">• Non DMX cables• Bouncing signals• Long cable / Low level signal• Too many fixtures• Interference from AC wires	<ul style="list-style-type: none">• Use only DMX compatible cables• Install terminator as suggested• Install amplifier right after fixture with strong signal• Install an optically coupled DMX splitter after unit #32• Keep DMX cables separated from power cables or black light

FIXTURE LINKING

You will need a serial data link to run light shows of one or more fixtures using a DMX controller or to run synchronized shows on two or more fixtures set to a master/slave operating mode. The combined number of channels required by all the fixtures on a serial data link determines the number of fixtures the data link can support.

i Fixtures on a serial data link must be daisy chained in one single line. To comply with the EIA-485 standard, no more than 32 fixtures should be connected on one data link. Connecting more than 32 fixtures on one serial data link without the use of a DMX optically-isolated splitter may result in deterioration of the DMX signal.

Maximum recommended serial data link distance: 500 m (1640 ft)
Maximum recommended number of fixtures on a serial data link: 32

DMX DATA CABLE

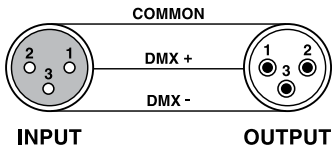
Use a cable which meets the specifications for EIA RS-485 applications. Standard microphone cables cannot transmit DMX data reliably over long distances. The cable must have the following characteristics:

Type: shielded, 2-conductor, twisted pair
Maximum capacitance between conductors: 30 pF/ft
Maximum capacitance between conductor and shield: 55 pF/ft
Maximum resistance: 20 Ohms/1000 ft
Nominal impedance: 100 ~ 140 Ohms

CABLE CONNECTORS

Cabling must have a male XLR connector on one end and a female XLR connector on the other end.

DMX CONNECTOR CONFIGURATION



TERMINATOR



To avoid signal transmission problems and interference, it is always advisable to connect a DMX signal terminator.

120 ohm ¼ W resistor between pin 2 (DMX -) and pin 3 (DMX +) on the output of the last fixture

i Do not allow contact between the common and the fixture's chassis ground. Grounding the common can cause a ground loop, and your fixture may perform erratically. Test cables with an Ohm meter to verify correct polarity and to make sure the pins are not grounded or shorted to the shield or each other.

3-PIN TO 5-PIN CONVERSION CHART

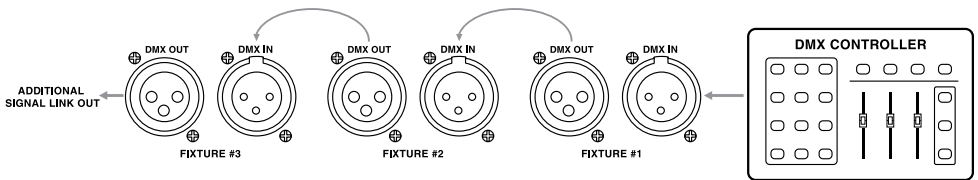


If you use a controller with a 5-pin DMX output connector, you will need to use a 5-pin to 3-pin adapter. The chart below details a proper cable conversion:

3-PIN TO 5-PIN CONVERSION CHART		
Conductor	3-Pin Female (Output)	5-Pin Male (Input)
Ground/Shield	Pin 1	Pin 1
Data (-) signal	Pin 2	Pin 2
Data (+) signal	Pin 3	Pin 3
Not used		Pin 4
Not used		Pin 5

SETTING UP A DMX SERIAL DATA LINK

1. Connect the (male) 3-pin connector side of the DMX cable to the output (female) 3-pin connector of the controller.
2. Connect the end of the cable coming from the controller which will have a (female) 3-pin connector to the input connector of the next fixture consisting of a (male) 3-pin connector.
3. Then, proceed to connect from the output as stated above to the input of the following fixture and so on.



GENERAL MAINTENANCE

To maintain optimum performance and minimize wear, fixtures should be cleaned frequently. Usage and environment are contributing factors in determining frequency. As a general rule, fixtures should be cleaned at least twice a month. Dust reduces performance and can cause overheating. This can lead to reduced lamp life and increased mechanical wear. Be sure to power off fixture before conducting maintenance.

- Unplug fixture from power.
- Use a vacuum or air compressor and a soft brush to remove dust collected on external vents.
- Clean all glass when the fixture is cold with a mild solution of glass cleaner or Isopropyl Alcohol and a soft lint-free cotton cloth or lens tissue.
- Apply solution to the cloth or tissue and drag dirt and grime to the outside of the lens.
- Gently polish optical surfaces until they are free of haze and lint.

The cleaning of external optical lenses and/or mirrors must be carried out periodically to optimize light output. Cleaning frequency depends on the environment in which the fixture operates. Damp, smoky or particularly dirty surroundings can cause greater accumulation of dirt on the unit's optics. Clean with soft cloth using normal glass cleaning fluid. Clean the external optics at least every 20 days. Clean the fixture at least every 30/60 days.



Always dry parts carefully after cleaning them.



Never spin a fan using compressed air.

9. TECHNICAL SPECIFICATIONS

Weight & Dimensions

Length.....	7.3" (185mm)
Width	8.1" (206mm)
Height	2.5" (63mm)
Weight.....	1.8 lbs (0.8 kg)

Power

Power Supply.....	120 VAC, 50/60 Hz
Power Consumption @ 120 V.....	9 W (.1 A max)
Power Linking	43 units @ 120V
Fuse.....	F 1 A, 250 V

Light Source

LEDs.....	75 (25 red, 25 green, 25 blue)
-----------	--------------------------------

Photo Optic

Lux @ 1 m	1,500
Beam Angle	14°
Field Angle.....	23°

Thermal

Maximum Ambient Temperature	104° F (40° C)
-----------------------------------	----------------

10. WARRANTY

One (1) Year Limited Warranty

Subject to the limitations set forth below, Venue® hereby represents and warrants that the components of this product shall be free from defects in workmanship and materials, including implied warranties of merchantability or fitness for a particular purpose, subject to normal use and service, for one (1) year [ninety (90) days on lamps] to the original owner from the date of purchase.

Retailer and manufacturer shall not be liable for damages based upon inconvenience, loss of use of product, loss of time, interrupted operation or commercial loss or any other incidental or consequential damages including but not limited to lost profits, downtime, goodwill, damage to or replacement of equipment and property, and any costs of recovering, reprogramming, or reproducing any program or data stored in equipment that is used with Venue® products. This guarantee gives you specific legal rights. You may have other legal rights which vary from state to state. Some states do not allow limitations on how long an implied warranty lasts, so the above limitation may not apply to you.

Venue Lighting Effects

P.O. Box 5111, Thousand Oaks, CA 91359-5111

www.venuelightingeffects.com

All trademarks and registered trademarks mentioned herein are recognized as the property of their respective holders.

Made in China. 1202-9703