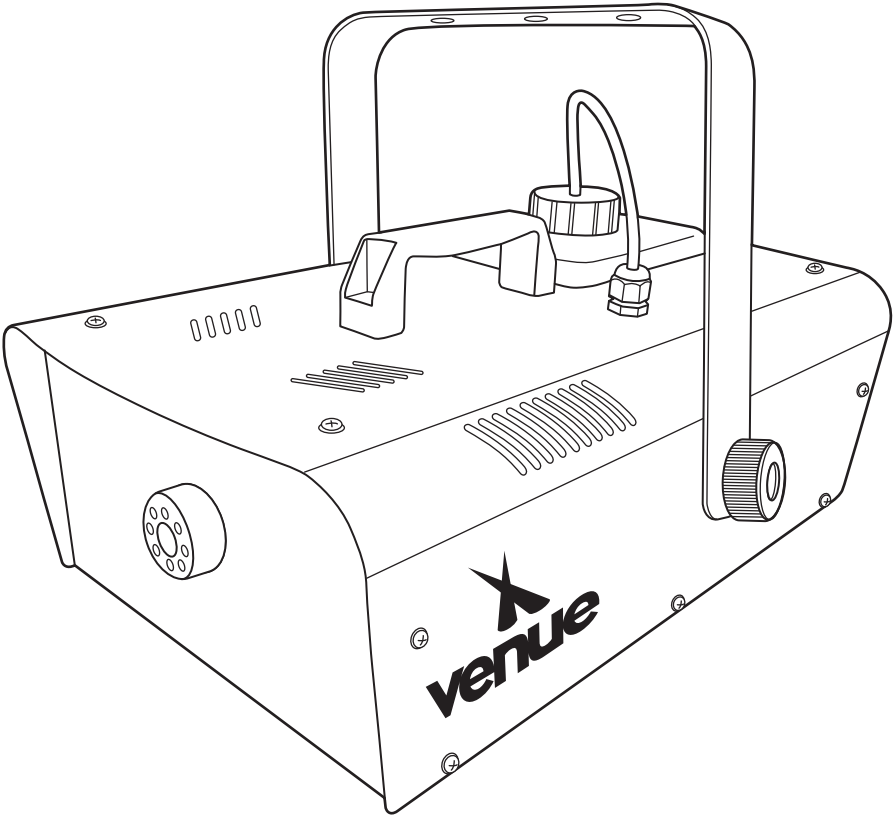




specter

FOG MACHINE WITH DMX CONTROL





INTRODUCTION

The Venue SP100DMX “Specter” is a DMX compatible fog machine.

This compact and high quality fog machine is a great addition to lighting set ups since it can be added to a chain of DMX controlled devices and can be triggered using most DMX controllers. Alternatively, the SP100DMX also includes both a wired and wireless remote to output fog whenever desired.

TABLE OF CONTENTS

BEFORE YOU BEGIN	4	DMX OPERATION	9
What is included	4	Storage and Cleaning	9
FCC Statement.....	4	Fuse Replacement.....	9
SAFETY INSTRUCTIONS	5	TECHNICAL SPECIFICATIONS	10
CONTROL PANEL	6	WARRANTY	10
Installation	6		
Rigging	6		
Signal Linking.....	6		
OPERATING INSTRUCTIONS	8		
Machine Operation Instructions	8		
Wired Control	8		
Wireless Remote Control	8		

BEFORE YOU BEGIN

What Is Included

- Specter Fog Machine
- Wireless Controller
- Mounting Bracket
- Wired Controller
- Wireless Receiver
- User Manual

FCC Statement

1. This device complies with Part 15 of the FCC Rules. Operation is subject to the following two conditions:
 - (1) This device may not cause harmful interference, and
 - (2) This device must accept any interference received, including interference that may cause undesired operation.
2. Changes or modifications not expressly approved by the party responsible for compliance could void the user's authority to operate the equipment.

CAUTION: To protection against risk of electric shock, connect to properly grounded outlets only. Servicing should only be done while the product is disconnected from power.

NOTE: This equipment has been tested and found to comply with the limits for a Class B digital device, pursuant to Part 15 of the FCC Rules. These limits are designed to provide reasonable protection against harmful interference in a residential installation.

This equipment generates, uses, and can radiate radio frequency energy and, if not installed and used in accordance with the instructions, may cause harmful interference to radio communications. However, there is no guarantee that interference will not occur in a particular installation. If this equipment does cause harmful interference to radio or television reception, which can be determined by turning the equipment off and on, the user is encouraged to try to correct the interference by one or more of the following measures:

Reorient or relocate the receiving antenna.

Increase the separation between the equipment and receiver.

Connect the equipment into an outlet on a circuit different from that to which the receiver is connected.

Consult the dealer or an experienced radio/TV technician for help.

SAFETY INSTRUCTIONS

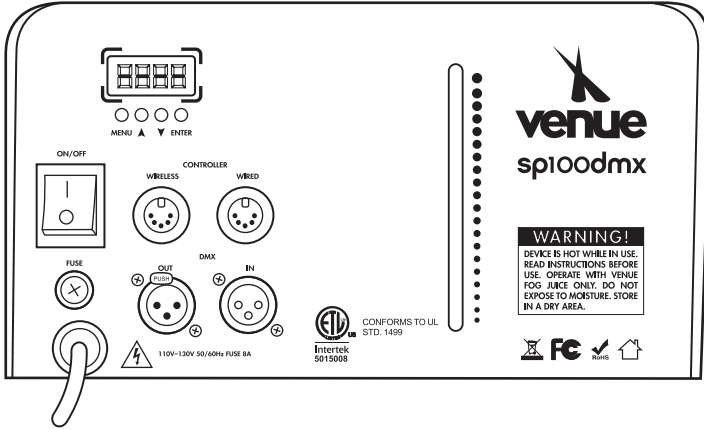


Please read these instructions carefully. It includes important information about the installation, usage, and maintenance of this product.



- Make sure that the power cable is not crimped or damaged. Do not let the power cable come into contact with other cables. Keep cable away from foot traffic.
- Do not open or modify the unit.
- Do not switch the equipment on and off in short intervals.
- Do not expose to flammable sources, liquids or gases.
- Always disconnect from power when equipment is not in use and before cleaning.
- Only use with specified input voltage.
- Do not touch the surface of the unit while in use. Wait 30 mins to allow the unit to cool after use.
- If the equipment has been exposed to drastic temperature fluctuation (e.g. after transportation), do not connect power or switch it on immediately. The arising condensation may damage the unit. Leave the equipment switched off until it has reached room temperature.
- Only use fuses of the same type and rating.
- Repairs, servicing, and power connection must only be carried out by a qualified technician. There are no serviceable parts contained inside.
- Turn off and disconnect from power before filling the fluid tank.
- Do not fill the fluid tank with hot liquids.
- Do not operate the fog machine without fluid.
- Do not block the ventilation holes. Allow at least 6" clearance between this device and a wall.
- Recommend using with Venue brand fog juice.
- Long periods of activation may trigger the fog machine to enter the reheat cycle, during which the fog machine will not output any fog.
- Do not connect to a dimmer circuit.

CONTROL PANEL



- A. LED: Buttons to set DMX address
- B. POWER: On/off switch
- C. FUSE: F8A 250V
- D. DMX: Input / Output
- E. CONTROLLER INPUTS: Connector for Wired and Wireless Controllers

Installation


- This fixture is for professional use only - it is not designed for or suitable for household use. The product must be installed by a qualified technician in accordance with local regulations.
- For use in a well-ventilated area only. Insufficient ventilation can cause condensation of fog fluid, resulting in slippery surfaces.
- In order to create the best effect, there should be a distance between the unit and the audience of at least 15ft.
- Only install the fog machine on flat, fire resistant surfaces.
- Ensure that there are no flammable materials (decorations, etc) within 3ft

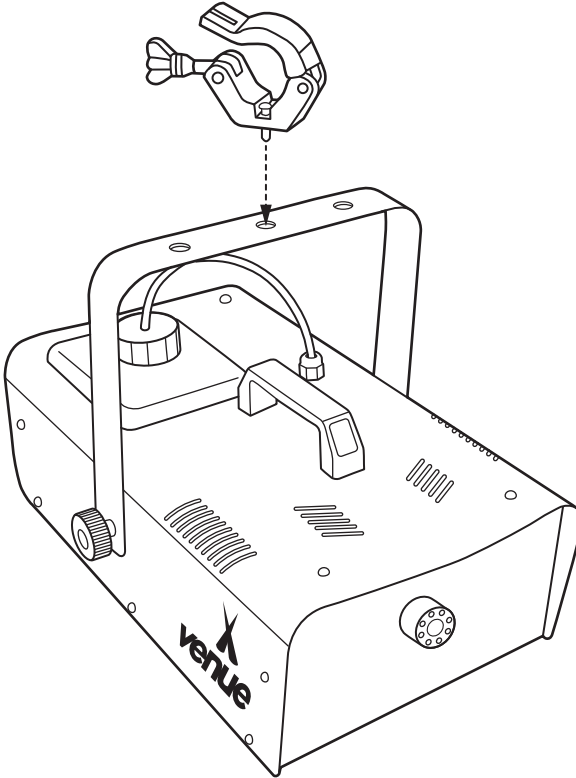
Rigging

Be sure that the structure can support the weight of the fixture.

Please see the “Technical Specifications” section of this manual for a detailed weight listing.

Mount the fixture securely using a hanging clamp (not included).

 Lighting clamp
not included.



OPERATING INSTRUCTIONS

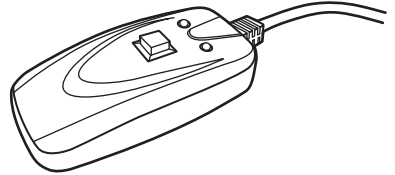
Machine Operation Instruction

- Upon startup, the LED display will show UP while the unit is heating up.
- After the unit is sufficiently heated, the LED display will show a number between 1 to 512, meaning the unit is ready for use.
- If fluid has not passed through the hose for 30 seconds, the machine will turn off and the LED display will blink showing "--". Power cycle and fill the tank to resume use.



Wired Control

- Attach the wired controller to the 5 pin jack labeled "WIRED" on the back of the device.
- Press the button on the center of the wired controller to emit fog.
- Press the button again to stop emitting fog.



Wireless Remote Control

- Attach the wireless remote control receiver to the 5 pin jack labeled "WIRELESS" on the back of the device.
- Press and hold the button on the center of the wireless controller to emit fog.

DMX OPERATION

1. Connect the DMX output of the DMX controller or the DMX output of another DMX-controlled unit to the 3 pin DMX input jack labeled "IN".
2. Connect additional DMX-controlled units through the DMX "OUT" jack if desired. The DMX "OUT" port has a locking mechanism. To remove the plug, press the PUSH lever.
3. DMX address setting:

To set the DMX channel, press the <MENU> button below the display. Use the ▲ and ▼ buttons to set the desired DMX channel between 1 and 512. . Press the <ENTER> button to confirm the DMX channel.



4. On the DMX controller, set the channel that corresponds to the number on the fog machine display to send a value greater than 0. This will trigger the fog machine to emit fog. Setting the channel value to 0 will stop emitting fog.

Storage and Cleaning



Disconnect the device from power and let the device cool before cleaning

To clean the surface, use a soft, dry cloth or a brush.
Do not use cleaning agents or chemical solutions on the surface.
Avoid deposits and residue by using Venue Fog Machine Cleaner.
Do not attempt to open the device for cleaning.
Run the device every 3 months to prevent build up and dust accumulation.

Fuse Replacement



Never repair fuses or bridge the fuse holder.

1. Turn off and unplug the device from power.
2. Open the fuse holder and remove the faulty fuse with a suitable screwdriver carefully.
3. Replace a new fuse of the indicated type.
4. Push the fuse holder back into its proper position

TECHNICAL SPECIFICATIONS

Weight & Dimensions

Length:	17.36" (441mm)
Width:	12.4" (315mm)
Height:	7.59" (193mm)
Weight:	11.8 lbs (5.35 kg)

Power

Power Supply:	AC110-120V, 60Hz
Power consumption:	760W
Fuse:	8A 250V

Fog Machine Parameters

Warm-up time:	5 minutes
Fog Control:	Wire control, Remote control, and DMX control
Tank capacity:	2.3L

WARRANTY

One (1) Year Limited Warranty

Subject to the limitations set forth below, Venue® hereby represents and warrants that the components of this product shall be free from defects in workmanship and materials, including implied warranties of merchantability or fitness for a particular purpose, subject to normal use and service, for one (1) year (ninety (90) days on lamps) to the original owner from the date of purchase.

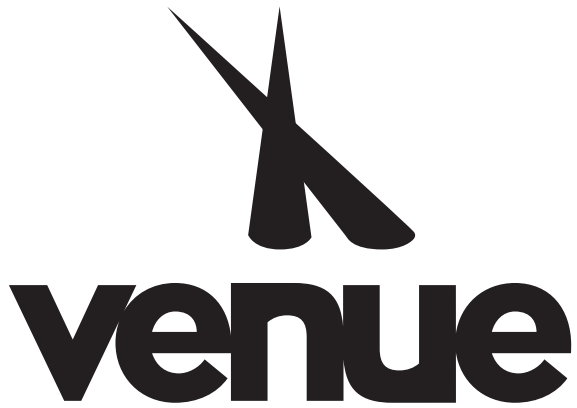
Retailer and manufacturer shall not be liable for damages based upon inconvenience, loss of use of product, loss of time, interrupted operation or commercial loss or any other incidental or consequential damages including but not limited to lost profits, downtime, goodwill, damage to or replacement of equipment and property, and any costs of recovering, reprogramming, or reproducing any program or data stored in equipment that is used with Venue® products. This guarantee gives you specific legal rights. You may have other legal rights which vary from state to state. Some states do not allow limitations on how long an implied warranty lasts, so the above limitation may not apply to you.

Venue Lighting Effects

P.O. Box 5111, Thousand Oaks, CA 91359-5111 www.venuelightingeffects.com

All trademarks and registered trademarks mentioned herein are recognized as the property of their respective holders.

Made in China.



www.venuelightingeffects.com

2309-231367371