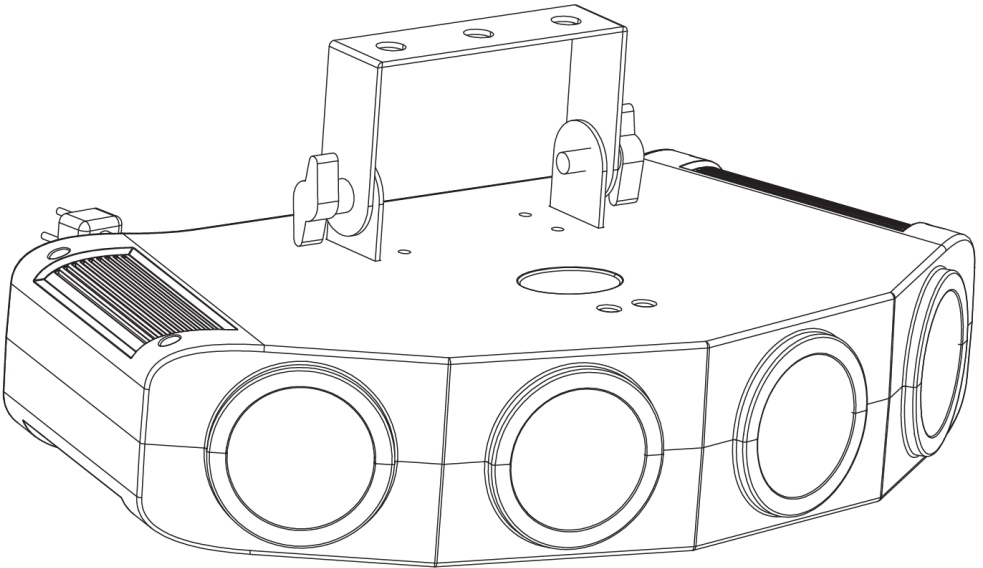




Tetra Beam

MULTI-BEAM LIGHTING EFFECT





INTRODUCTION

The Tetra Beam multi-beam lighting effect projects an array of evolving moonflower patterns that can be synchronized to music, strobed or cycled automatically at user-adjustable speeds. Convenient rear-panel controls provide for quick setup and the included IR remote gives the user additional control of static color combinations for each individual beam.

TABLE OF CONTENTS

Before You Begin	2
What is Included	2
Unpacking Instructions	2
Icons	3
Safety Instructions	4
Control Features	4
Rear Panel Features and Controls	5
IR Remote Controls	6
Setup	6
AC Power Mounting Orientation	6
Mounting Preparation	6
General Troubleshooting	8
Tech Specs	8
Warranty	8

BEFORE YOU BEGIN

What is Included?




- Tetra Beam
- Mounting Bracket Assembly
- IR Remote
- Power Cord
- User Manual
- Safety Loop

Unpacking Instructions

Carefully unpack the carton, then check the contents to ensure that all parts are present and have been received in good condition. Notify the shipper immediately and retain packing material for inspection if any parts appear damaged from shipping, or the carton itself shows signs of mishandling. Save the carton and all packing materials. In the event that a fixture must be returned to the factory, it is important that the fixture be returned in the original factory box and packing.

Icons

This manual uses the following icons to indicate information that requires special attention on the part of the user:

ICONS	MEANING
	This paragraph contains critical installation, configuration or operation information. Failure to comply with this information may render the fixture partially or completely inoperative, cause damage to the fixture or cause harm to the user.
	This paragraph contains important installation or configuration information. Failure to comply with this information may prevent the fixture from functioning correctly.
	This paragraph reminds you of useful, although not critical, information.

SAFETY INSTRUCTIONS



Please read these instructions carefully. It includes important information about the installation, usage and maintenance of this product.

FCC Statement

1. This device complies with Part 15 of the FCC Rules. Operation is subject to the following two conditions:
 - (1) This device may not cause harmful interference, and
 - (2) This device must accept any interference received, including interference that may cause undesired operation.
2. Changes or modifications not expressly approved by the party responsible for compliance could void the user's authority to operate the equipment.

NOTE: This equipment has been tested and found to comply with the limits for a Class B digital device, pursuant to Part 15 of the FCC Rules. These limits are designed to provide reasonable protection against harmful interference in a residential installation.

This equipment generates, uses, and can radiate radio frequency energy and, if not installed and used in accordance with the instructions, may cause harmful interference to radio communications. However, there is no guarantee that interference will not occur in a particular installation. If this equipment does cause harmful interference to radio or television reception, which can be determined by turning the equipment off and on, the user is encouraged to try to correct the interference by one or more of the following measures:

Reorient or relocate the receiving antenna.

Increase the separation between the equipment and receiver.

Connect the equipment into an outlet on a circuit different from that to which the receiver is connected.

Consult the dealer or an experienced radio/TV technician for help.

Please keep this User Manual for future reference.

- Make sure that you are connecting to the proper voltage, and that the line voltage you are connecting to is not higher than that stated on the decal or rear panel of the fixture.
- This product is intended for indoor use only! To prevent risk of fire or shock, do not expose fixture to rain or moisture.
- Make sure there are no flammable materials close to the unit while operating.
- The unit must be installed in a location with adequate ventilation, at least 20" (50 cm) from adjacent surfaces. Be sure that no ventilation slots are blocked.
- Always disconnect from the power source before servicing or replacing the fuse and be sure to replace with same type fuse.
- Secure fixture to included safety loop using a safety chain.
- Maximum ambient temperature is 104° F (40° C). Do not operate the fixture at temperatures higher than this.
- In the event of a serious operating problem, stop using the unit immediately. Never try to repair the unit yourself.
- Never connect the device to a dimmer pack.
- Make sure the power cord is never crimped or damaged.
- Never disconnect the power cord by pulling or tugging on the cord.
- Never carry the fixture directly from the cord. Always use the hanging/mounting bracket.
- Avoid direct eye exposure to the light source while it is on.

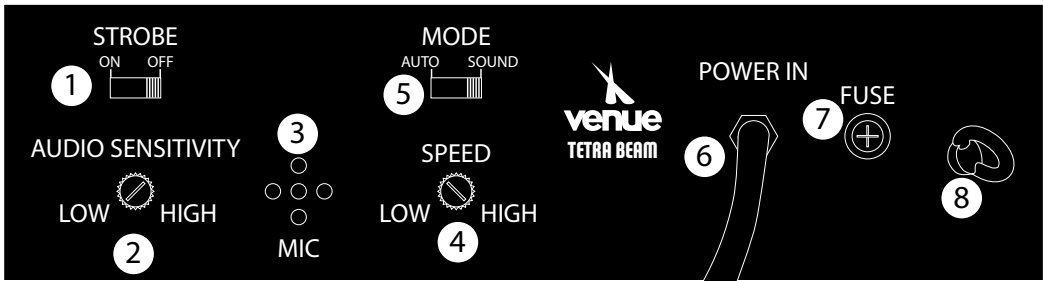
CONTROL FEATURES

- Quad-beam RGB moon-flower
- Built-in automated patterns with strobe and variable speed control
- Sound activated programs with variable sensitivity
- Static RGB arrangement for each individual beam

Note

Tetra Beam can be controlled either from the physical rear-panel controls or from the included IR remote. When Tetra Beam powers up, it defaults to running the program set by the rear panel controls. The first control adjustment determines the control master. For example, if the first adjustment is done on the rear panel, the rear panel will act as master and IR remote functions will be limited. If the first control adjustment is done from the IR remote, the IR remote will act as master and rear-panel controls will be limited. If an initial adjustment is made from the rear-panel controls and you wish to use the IR remote, you will first need to power cycle the unit in order to give the IR remote access to all control features. If you make an initial adjustment from the IR remote and then wish to use the rear-panel controls, you will need to power cycle the unit in order to reinitialize the rear-panel controls. For added convenience when operating without a remote, Tetra Beam will automatically power up after a few seconds of being plugged in.

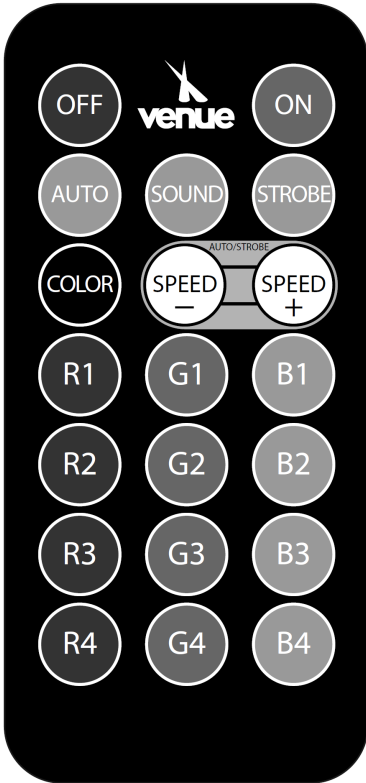
Rear Panel Features and Controls



1. **STROBE SWITCH:** Turns the strobe effect on or off
2. **AUDIO SENSITIVITY CONTROL:** Sets the sound threshold for sound-activated pattern changes when the MODE switch (#5) is set to the SOUND position. Turn counter-clockwise to decrease sensitivity and clockwise to increase sensitivity
3. **MIC:** Internal microphone for the sound-activated pattern changes
4. **SPEED CONTROL:** Controls the speed of the pattern changes when the MODE switch (#5) is set to the AUTO position
5. **MODE SWITCH:** Controls how patterns are changed. In the AUTO position, patterns cycle automatically at a rate controlled by the SPEED control (#4). In the SOUND position, patterns change based on input from the MIC (#3) and the threshold set by the AUDIO SENSITIVITY control (#2)
6. **POWER IN:** Tetra Beam is equipped with a fixed power cable and will power up automatically when plugged in. Review the safety section (page 5) before connecting the end of this cable to a standard AC power outlet.
7. **FUSE:** As a protective measure, Tetra Beam is equipped with a F1AL250V safety fuse. In the case of a mains power surge, the fuse will blow and protect the internal electronics. To access the fuse, unplug the power cable from the AC outlet and use a phillips-head screwdriver to open the fuse holder.
8. **SAFETY LOOP** - When using Tetra Beam in a hanging application a safety chain or cable must be connected to this loop

CONTROL FEATURES

IR Remote Controls



OFF: Turns Tetra Beam off

ON: Turns Tetra Beam on

AUTO: Sets patterns to cycle automatically at a rate controlled by the SPEED+/SPEED- controls

SOUND: Sets pattern changes based on input from the MIC (#3 on the rear panel)

STROBE: Turns the strobe effect on or off. When STROBE is on, SPEED+ and SPEED- controls control the strobe pulsing speed

SPEED-: Decreases the speed of the strobe pulsing when in STROBE mode, and decreases the speed of the pattern changes when in AUTO mode

SPEED+: Increases the speed of the strobe pulsing when in STROBE mode, and increases the speed of the pattern changes when in AUTO mode

COLOR: Puts Tetra Beam in manual color mode, where R1-R4, G1-G4 and B1-B4 buttons can be used to control colors for each individual beam.

When in color mode, pressing the COLOR button will clear all active LEDs

R1-R4: Turns red LEDs on or off for the associated beam

G1-G4: Turns green LEDs on or off for the associated beam

B1-B4: Turns blue LEDs on or off for the associated beam

SETUP

AC Power

This fixture runs on 100~240 VAC, 50/60 Hz. Before powering on the unit, make sure the line voltage is within the range of accepted voltages.

To determine the power requirements for a particular fixture, see the label affixed to the bottom of the fixture or refer to the fixture's specifications chart. A fixture's listed current rating indicates its average current draw under normal conditions.



Always connect the fixture to a switched circuit. Never connect the fixture to a rheostat (variable resistor) or dimmer circuit, even if the rheostat or dimmer channel is used only as a 0 to 100% switch.



Always connect the fixture to a circuit with a suitable electrical ground.

Mounting Orientation

The Tetra Beam includes a metal bracket for hanging upside-down, mounting to a pole or placing on the floor or tabletop.

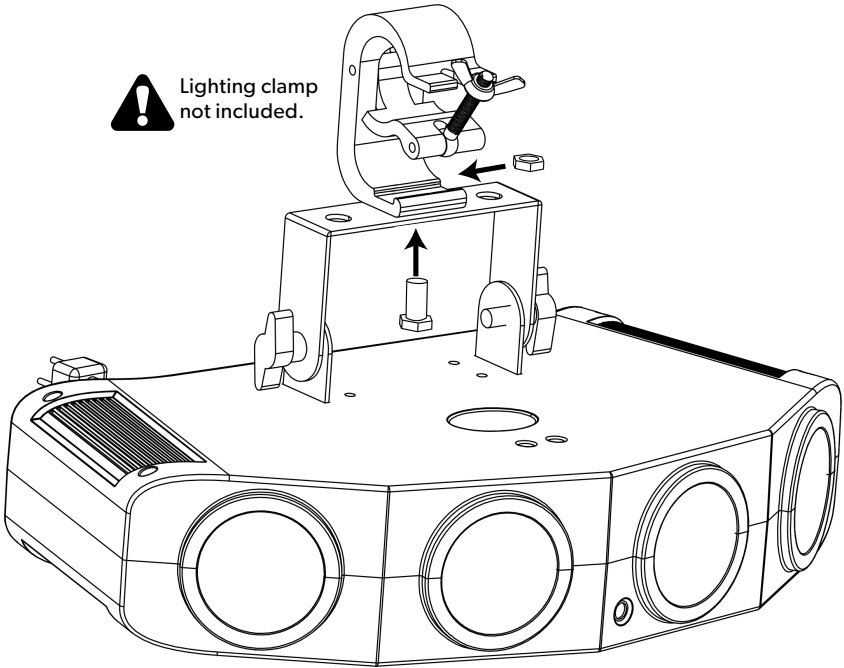
Mounting Preparation

When hanging Tetra Beam, be sure that the mounting structure can support the weight of the fixture. Please see the "Technical Specifications" section of this manual for a detailed weight listing. Ensure the included Safety Loop is securely installed in the back of the fixture and mount the fixture securely. This may be done with a screw, nut and bolt or a hanging clamp (not included). The holes in each bracket can fit a 13mm screw or bolt. When rigging, consider routine maintenance and control panel access.

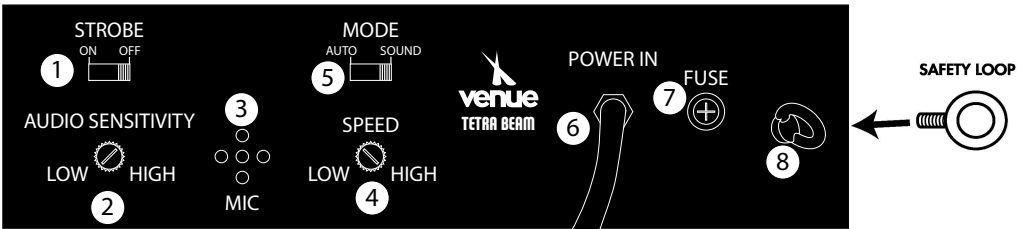
- The adjustable bracket can be used to hang Tetra Beam from a truss, using a lighting clamp as shown below. The bracket can also be used as a foot with convenient angle adjustment, for floor or tabletop placement
- When mounting, ensure that cables are neatly organized and sufficient space is provided for the fixture.
- Safety cables must always be used, in conjunction with the included safety loop.



Lighting clamp not included.



Safety cables must always be used in conjunction with the included Safety Loop



General Troubleshooting

SYMPTOM	POSSIBLE CAUSE(S)	POSSIBLE ACTION(S)
Breaker/Fuse keeps blowing	<ul style="list-style-type: none"> Excessive circuit load Short circuit along the power wires 	<ul style="list-style-type: none"> Check total load placed on the electrical circuit Check for a short in the electrical wiring (internal and/or external)
Device does not power up	<ul style="list-style-type: none"> No power Loose power cord 	<ul style="list-style-type: none"> Check for power on Mains Check power cord



Always dry parts carefully after cleaning them.

TECHNICAL SPECIFICATIONS

Weight & Dimensions

Length: 14.93" (379mm)
 Width: 9.08" (230mm)
 Height: 6.16" (156.5mm)
 Weight: 3.31 lbs (1.5 kg)

Power

Auto-Ranging Power Supply: 100~240 VAC, 50/60 Hz
 Power Consumption @ 120 V: 10 W max, 0.1 A inrush
 Power Consumption @ 230 V: 10W max, 0.5 A inrush
 Fuse: F1AL250V

Light Source

Moonflower LED 96 x 0.2-watt (R:16,
 G:32, B48)
 Lux @ 2 m R:69.5, G:207.5, B:7.3
 Beam Angle 94°

Thermal

Maximum Ambient Temperature 104° F (40° C)
 Cooling Passive

WARRANTY

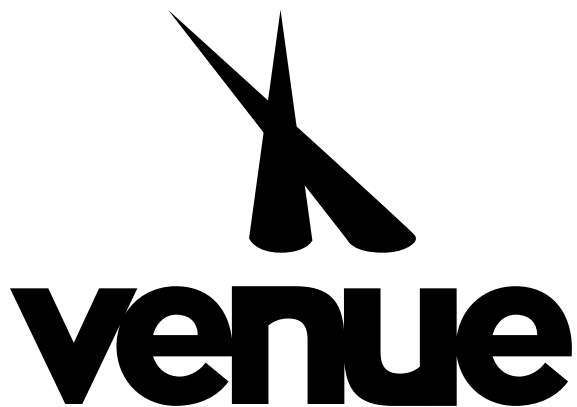
One (1) Year Limited Warranty

Subject to the limitations set forth below, Venue® hereby represents and warrants that the components of this product shall be free from defects in workmanship and materials, including implied warranties of merchantability or fitness for a particular purpose, subject to normal use and service, for one (1) year (ninety (90) days on lamps) to the original owner from the date of purchase.

Retailer and manufacturer shall not be liable for damages based upon inconvenience, loss of use of product, loss of time, interrupted operation or commercial loss or any other incidental or consequential damages including but not limited to lost profits, downtime, goodwill, damage to or replacement of equipment and property, and any costs of recovering, reprogramming, or reproducing any program or data stored in equipment that is used with Venue® products. This guarantee gives you specific legal rights. You may have other legal rights which vary from state to state. Some states do not allow limitations on how long an implied warranty lasts, so the above limitation may not apply to you.

Venue Lighting Effects

P.O. Box 5111, Thousand Oaks, CA 91359-5111
www.venuelightingeffects.com



www.venuelightingeffects.com